

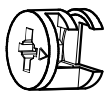
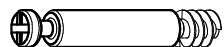
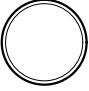
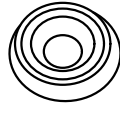


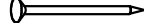
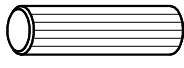
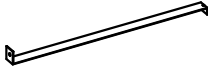
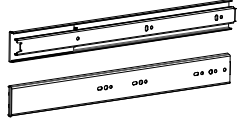
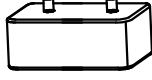
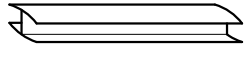
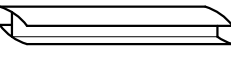
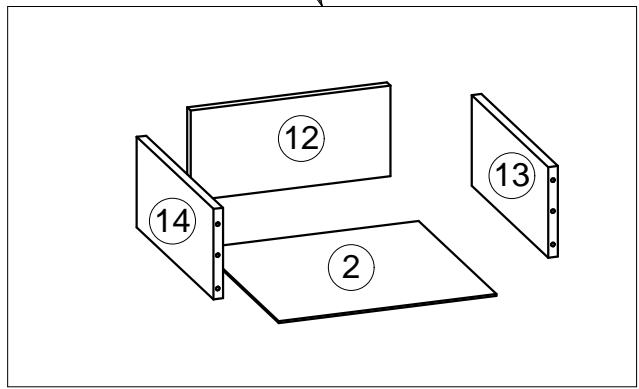
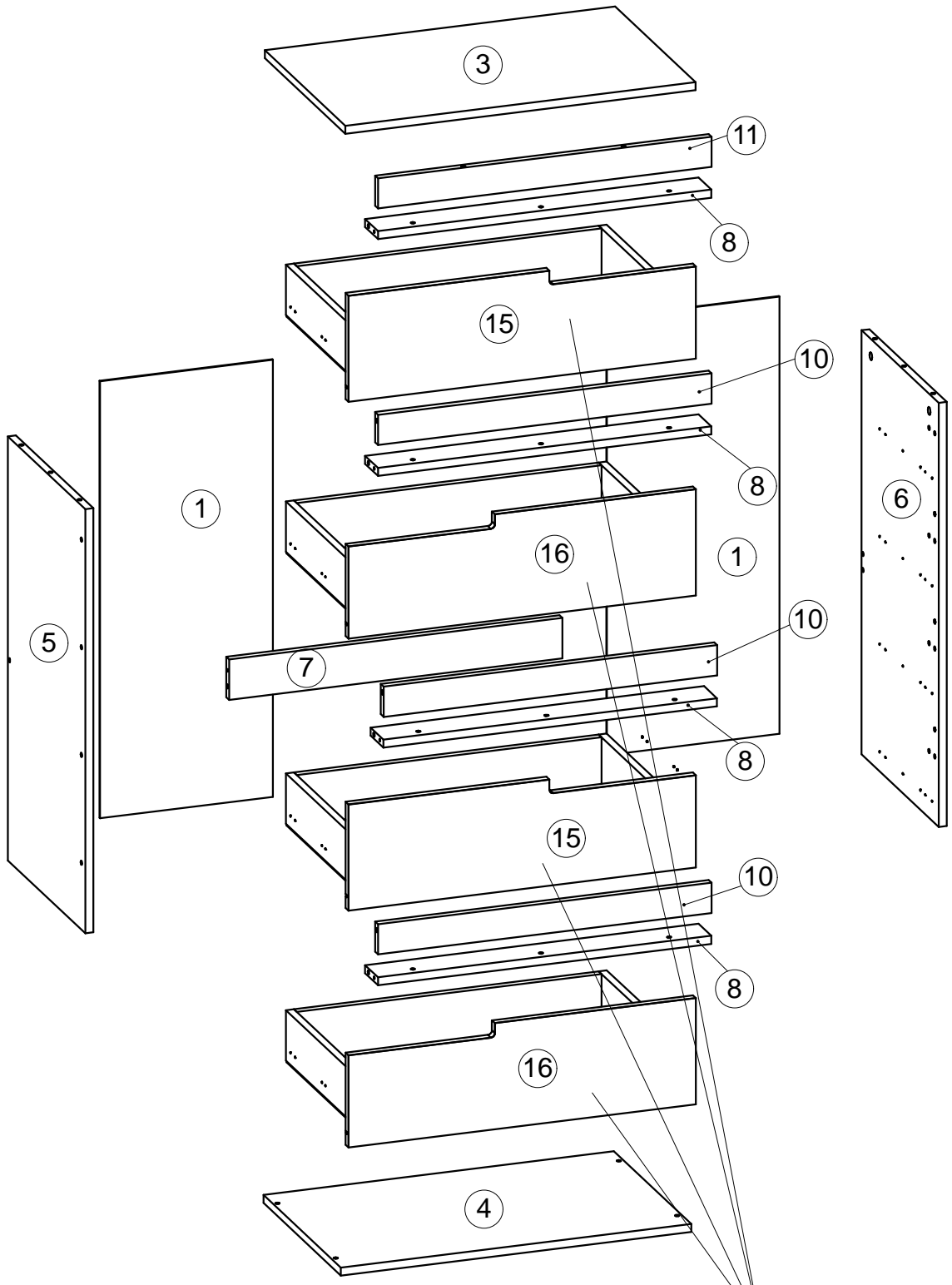
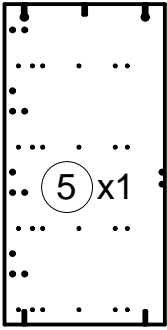
 Ø6,3x50 mm A1 x 42	 Ø12 mm A2 x 42	 4 mm A3 x 1	 Ø15x12 mm B1 x 12	 Ø5x44 mm B2 x 12
 Ø20 mm B3 x 12	 Ø12x3 mm C x 4	 Ø4x16 mm D1 x 56	 Ø4x20 mm D2 x 4	 Ø1,6x25 mm F x 172
 Ø8x36 mm G x 36	 I x 4	 K x 4	 N x 5	 417 mm O1 x 1
 345 mm O2 x 1				

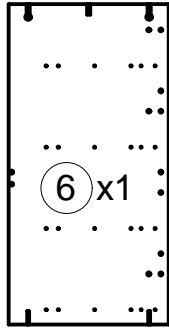


Box 1/2

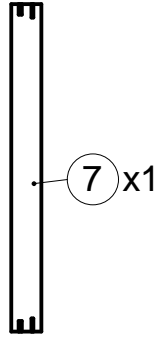
847x424x16 mm



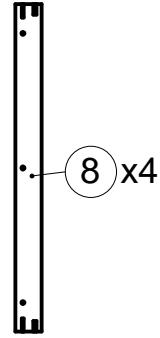
847x424x16 mm



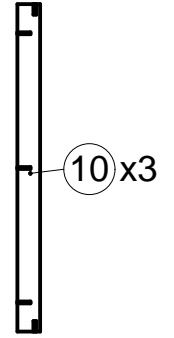
866x80x16 mm



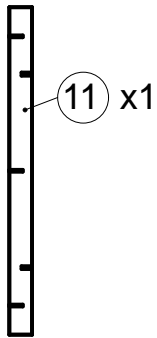
866x70x16 mm



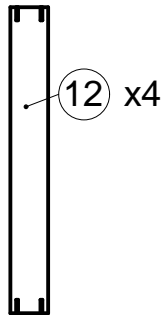
866x60x16 mm



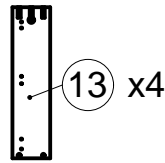
866x60x16 mm



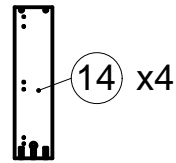
809x100x16 mm



400x100x16 mm



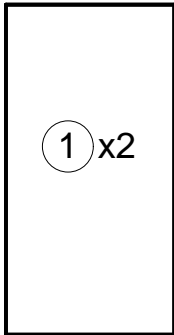
400x100x16 mm



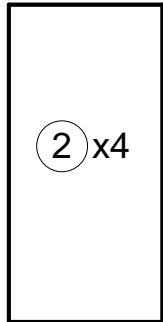
Fittings & Tools

Box 2/2

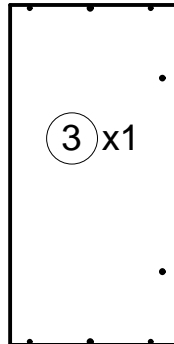
873x445x3 mm



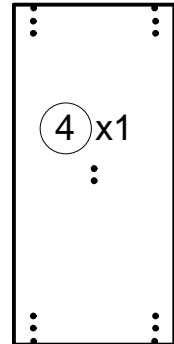
839x406x3 mm



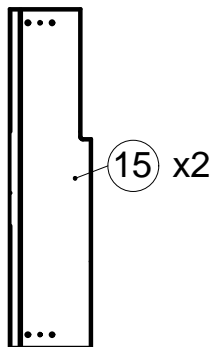
899x441x16 mm



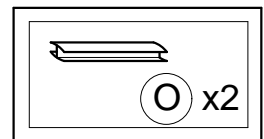
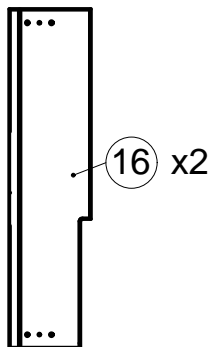
899x424x16 mm



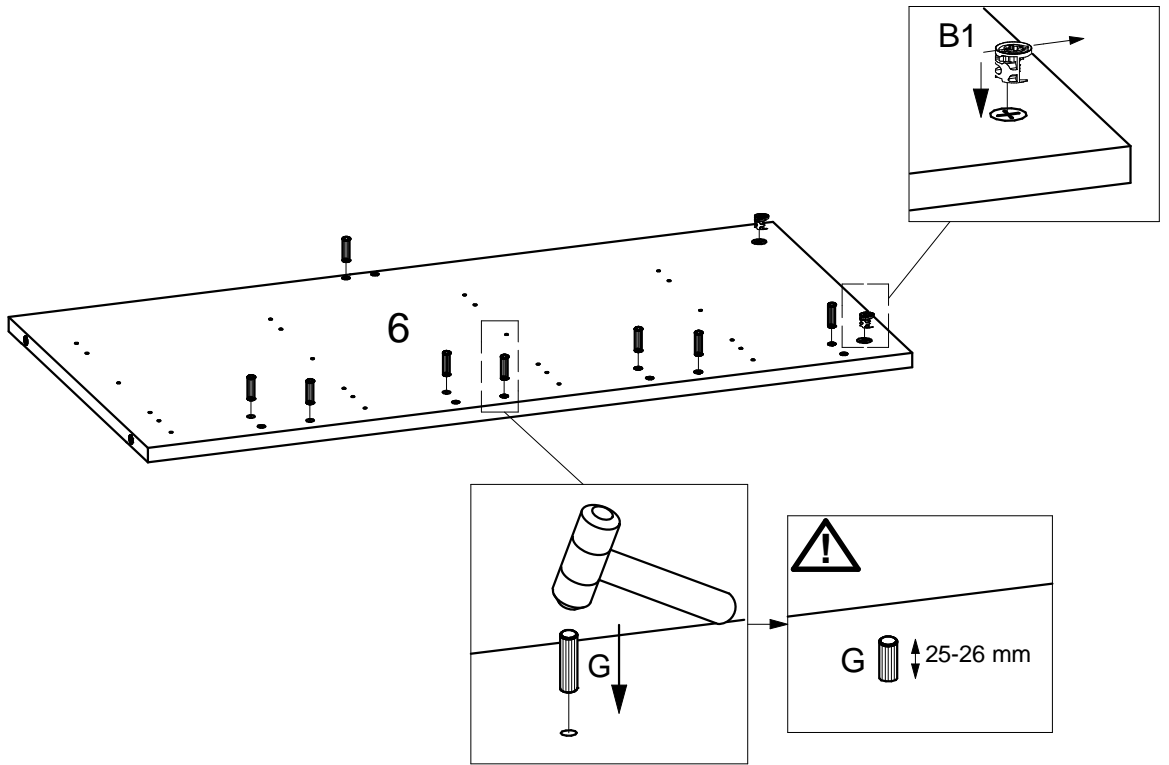
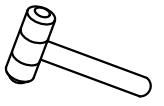
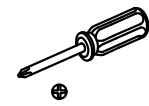
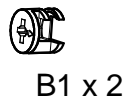
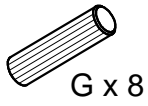
898x216x16 mm



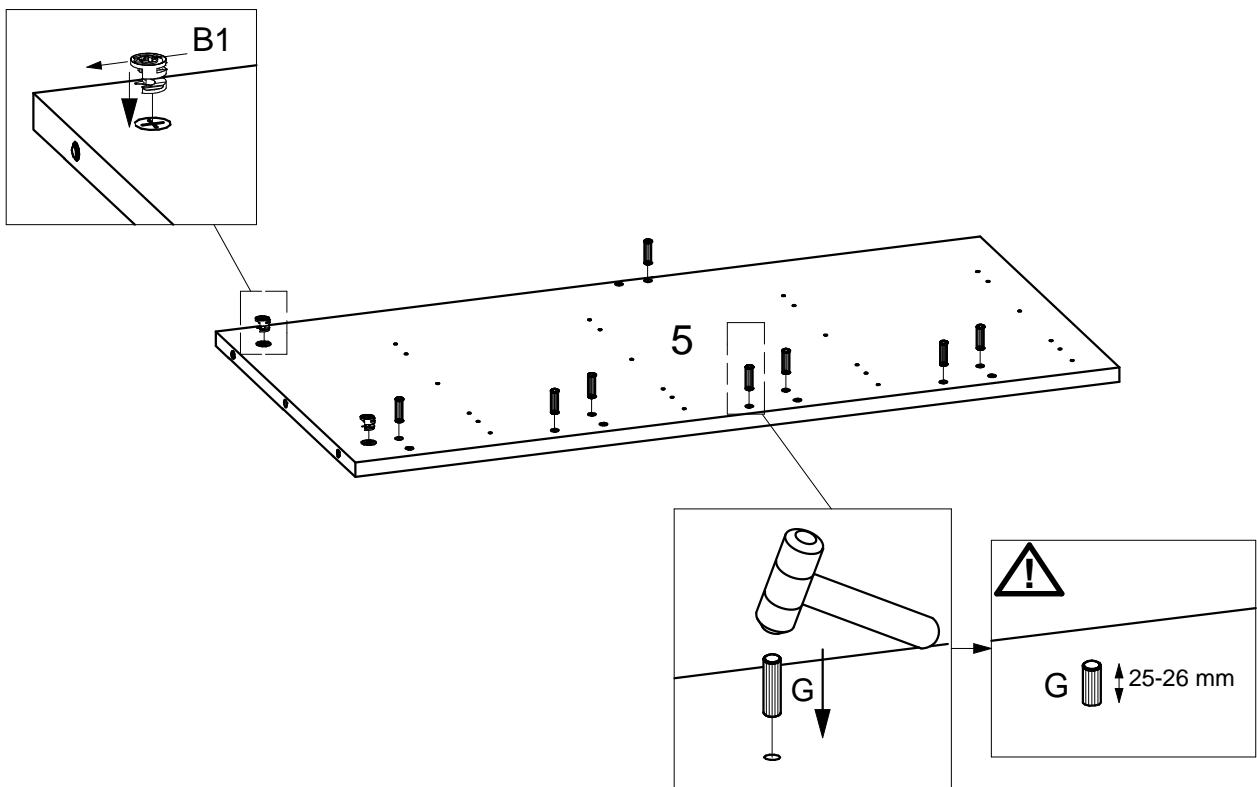
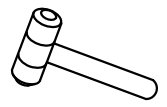
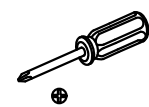
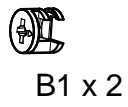
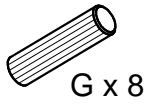
898x216x16 mm



1



2



3



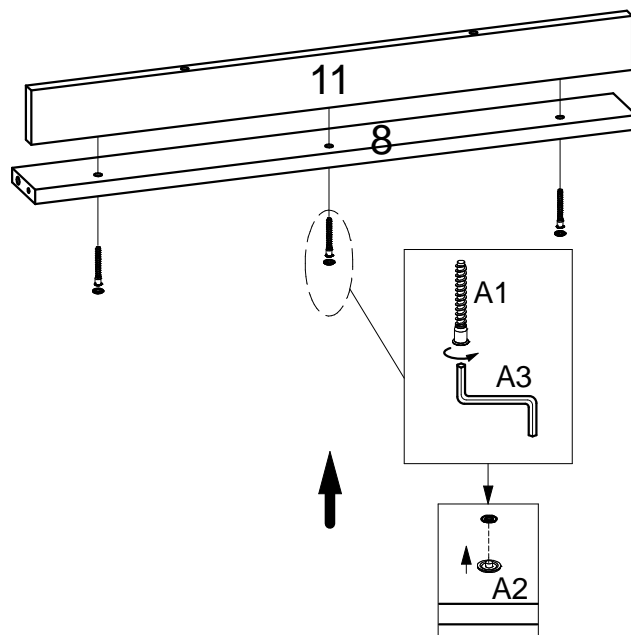
A1 x 3



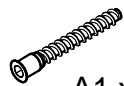
A2 x 3



A3 x 1



4



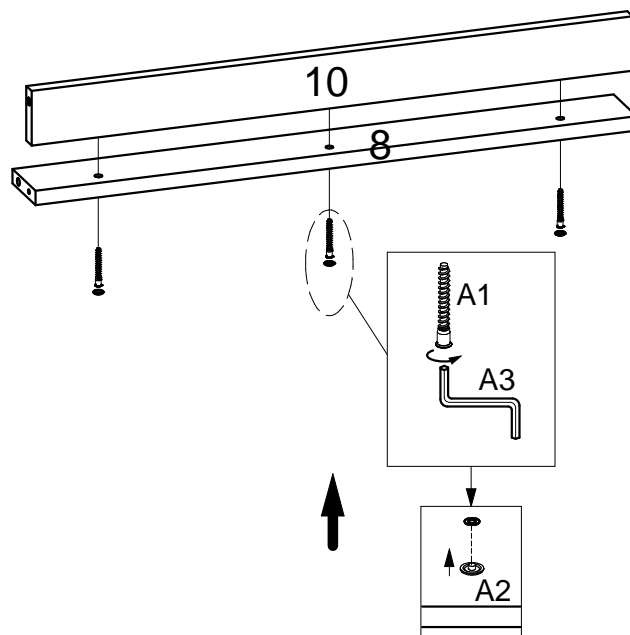
A1 x 9



A2 x 9

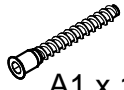


A3 x 1



x 3

5



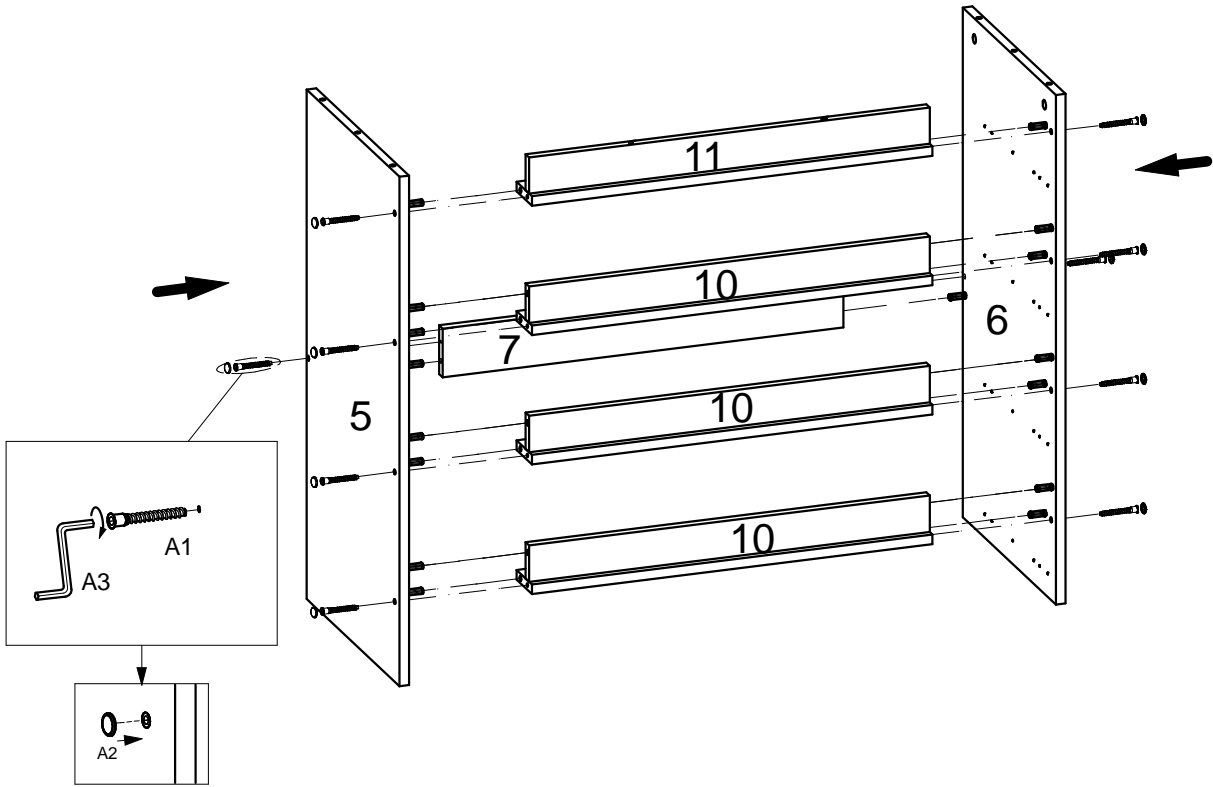
A1 x 10



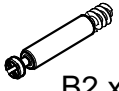
A2 x 10



A3 x 1



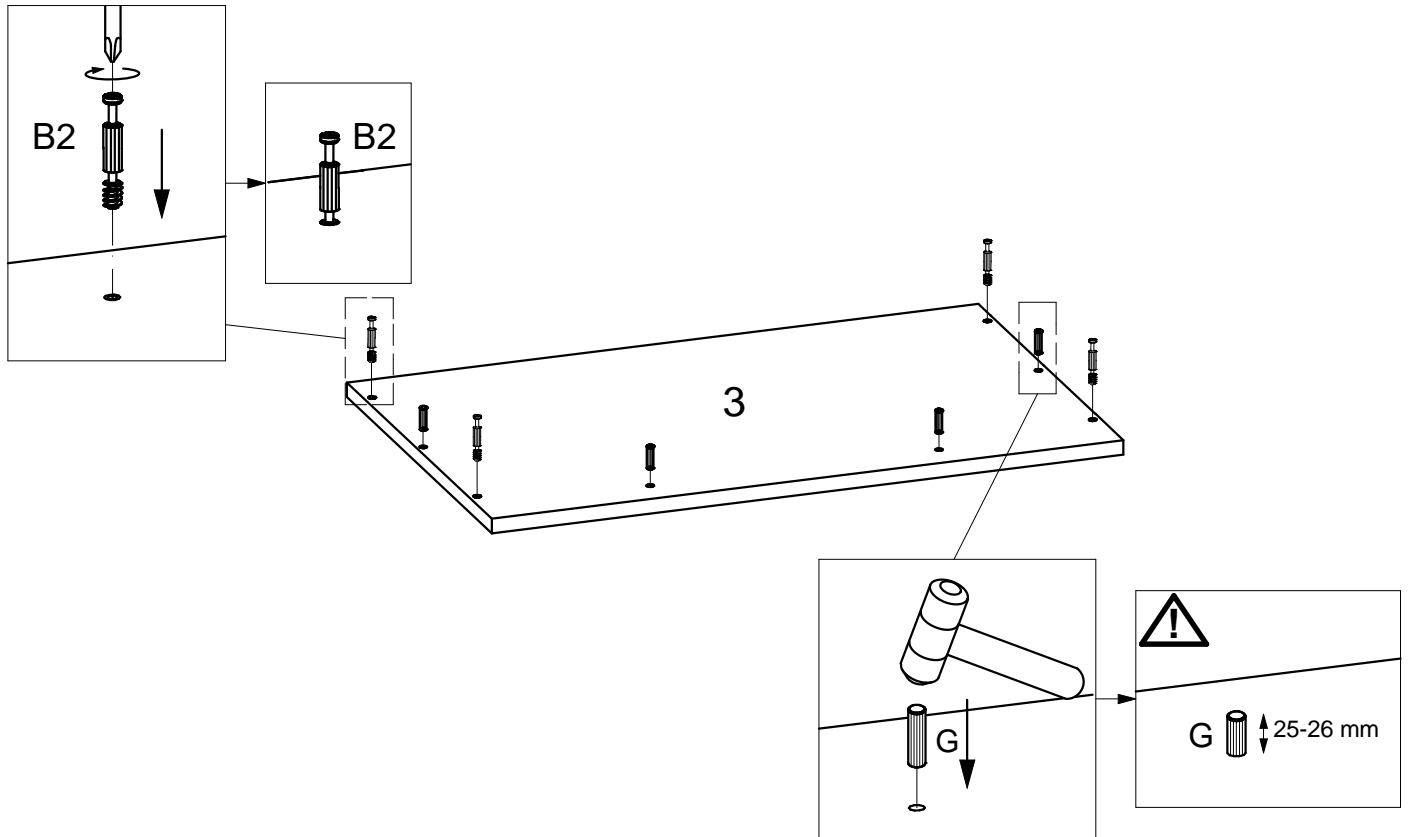
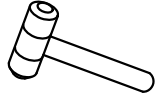
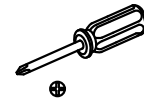
6



B2 x 4



G x 4



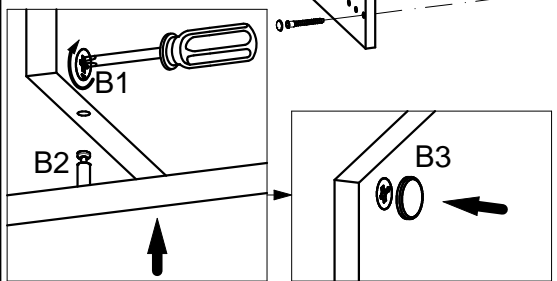
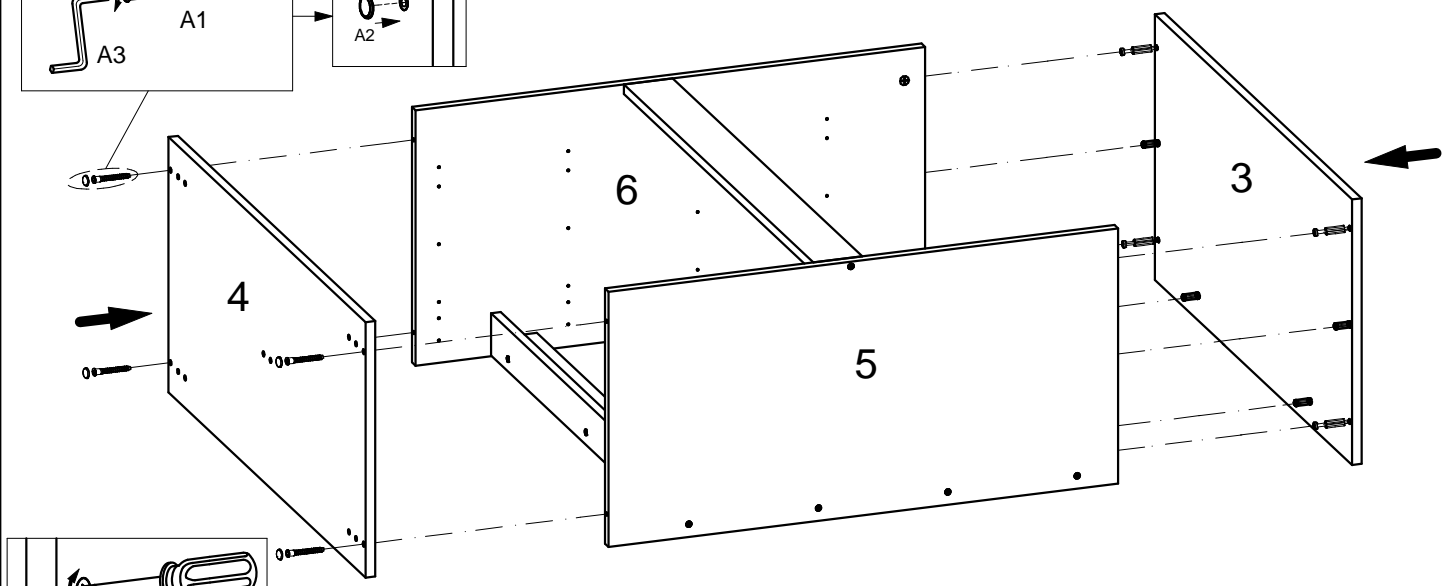
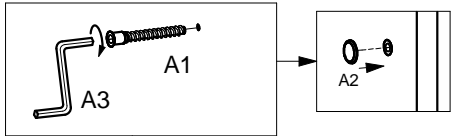
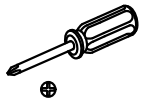
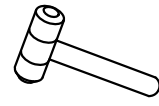
7

A1 x 4

A2 x 4

A3 x 1

B3 x 4



8

C x 4

D2 x 4

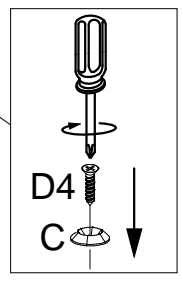
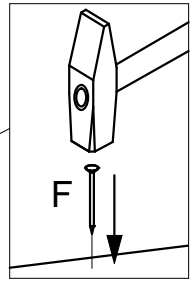
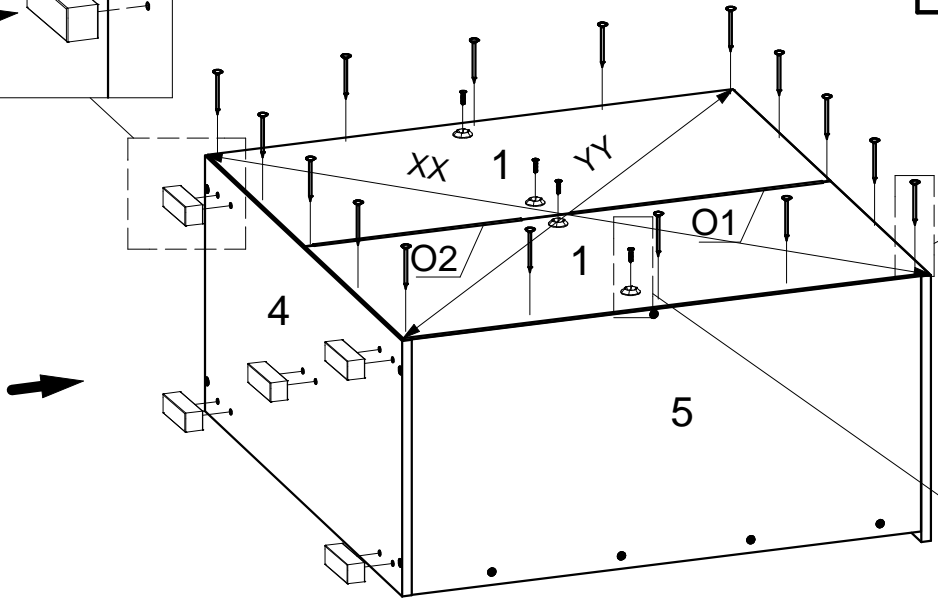
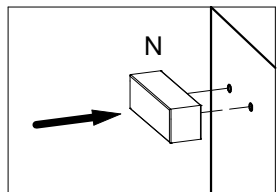
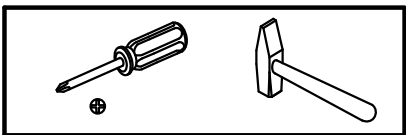
F x 60

N x 5

O1 x 1

O2 x 1

! $XX=YY \cong 90^\circ$



9



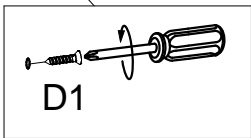
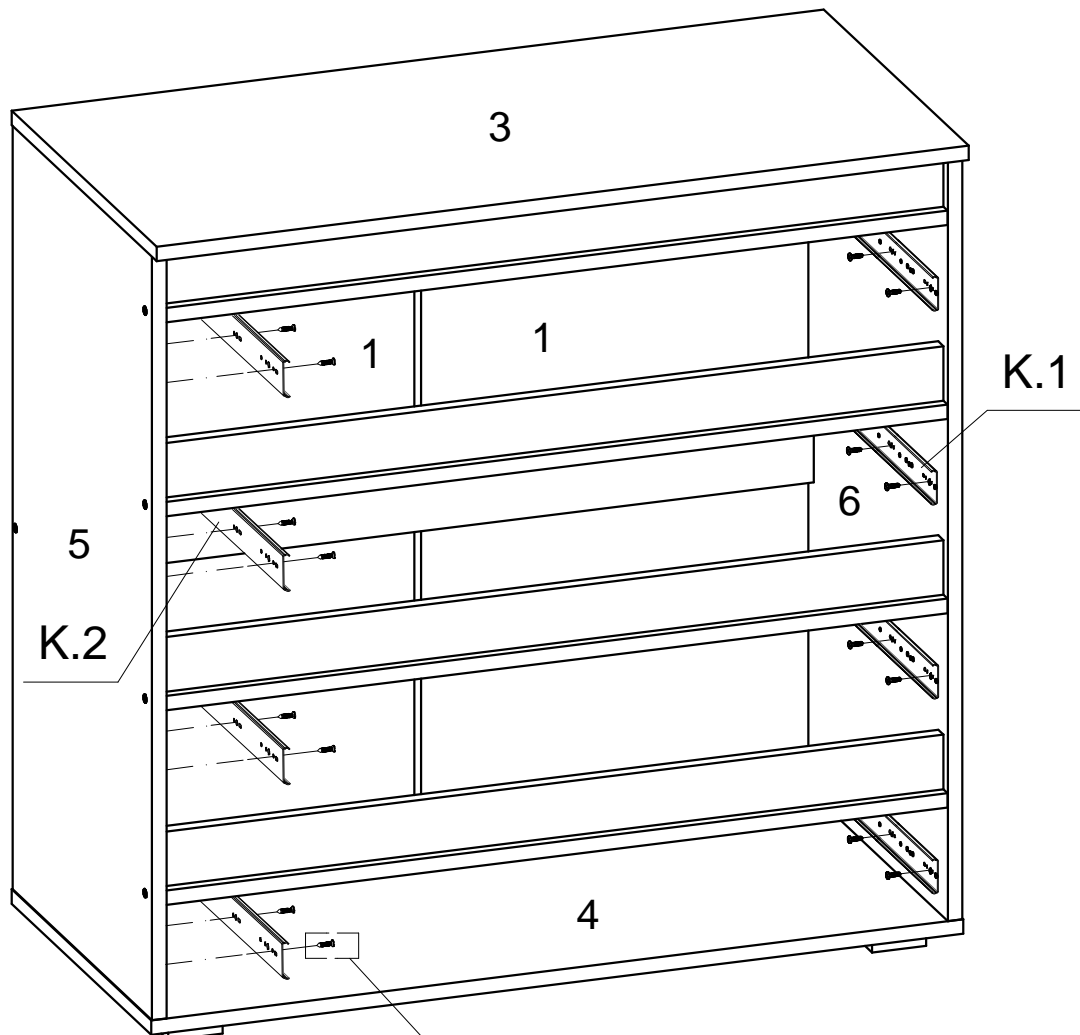
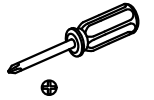
D1 x 24



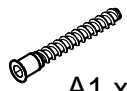
K.1 x 4



K.2 x 4



10



A1 x 16



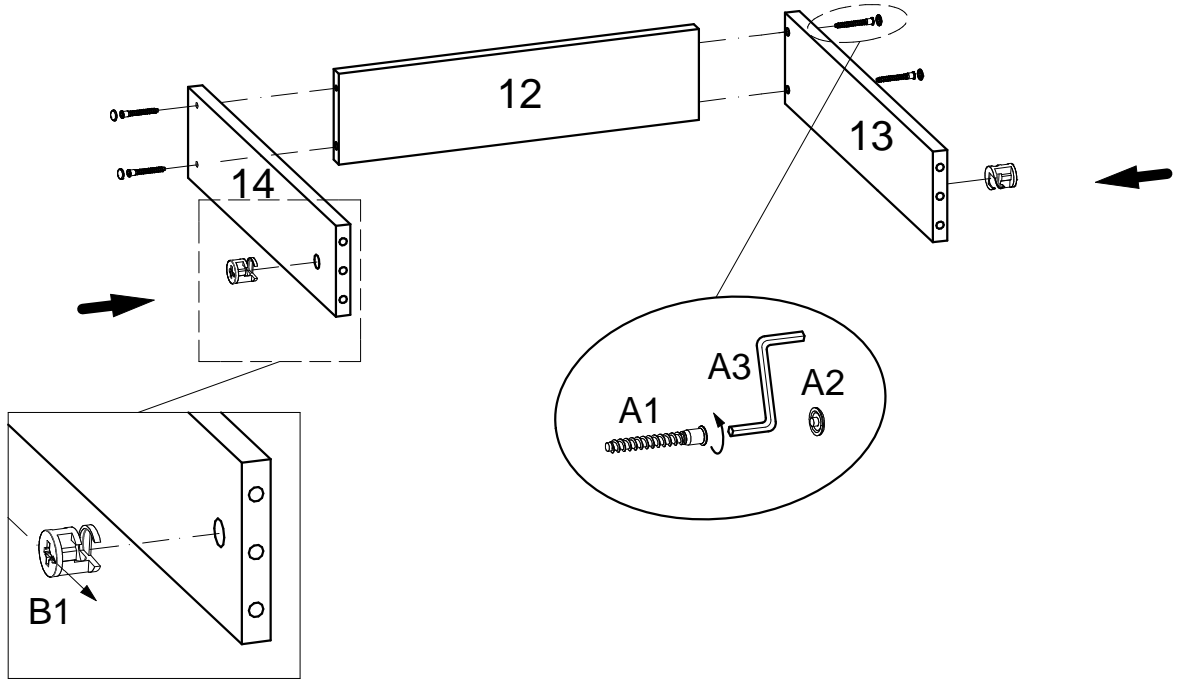
A2 x 16



A3 x 1

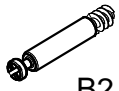


B1 x 8



x 4

11



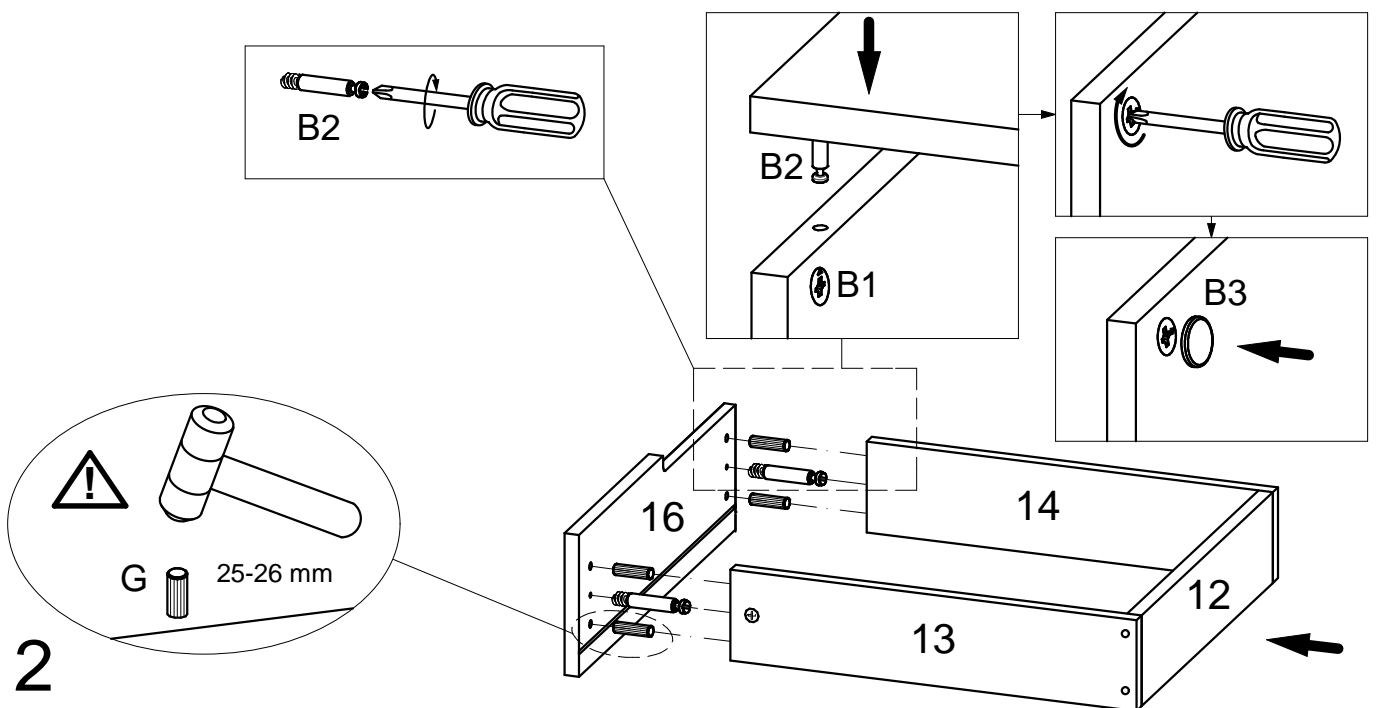
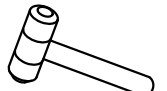
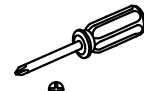
B2 x 4



B3 x 4

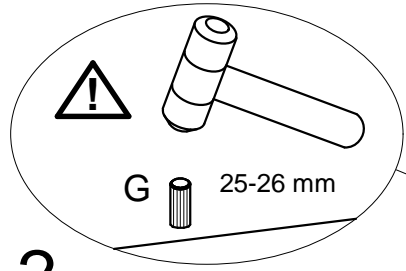
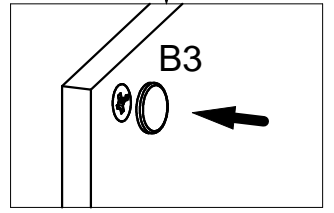
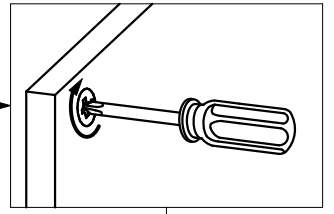
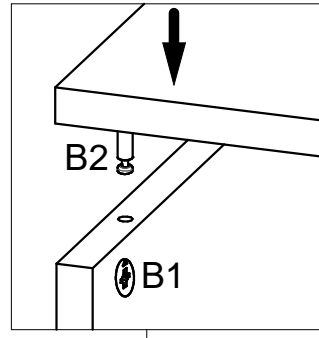
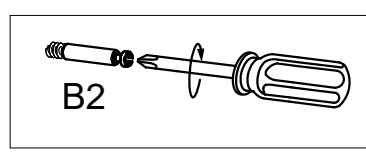
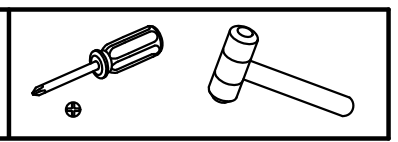
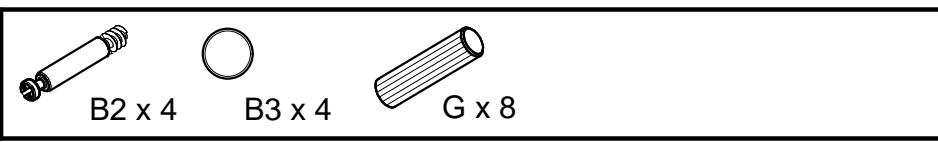


G x 8

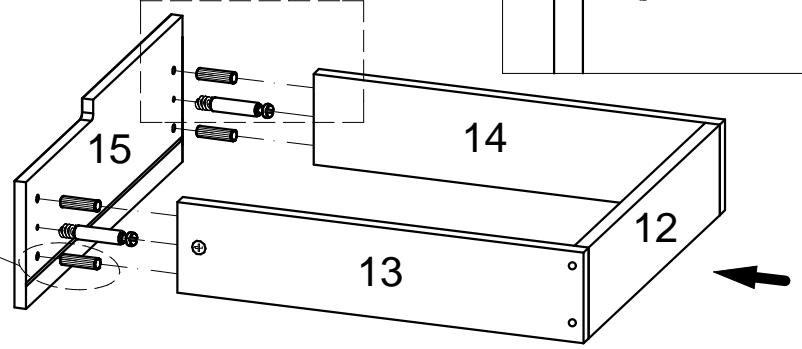


x 2

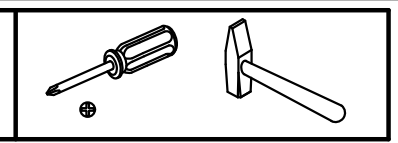
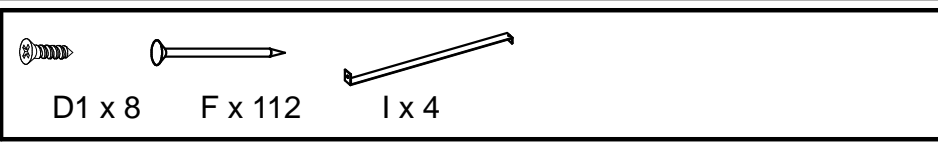
12



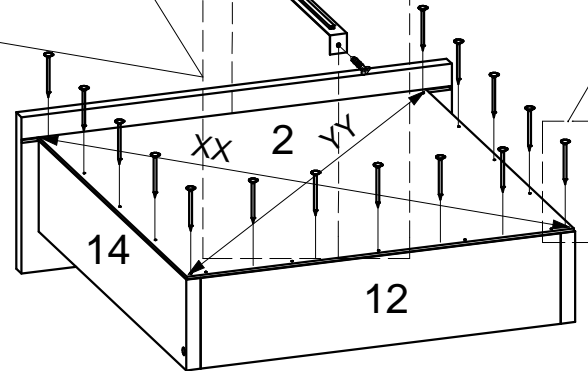
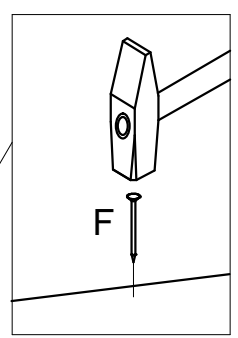
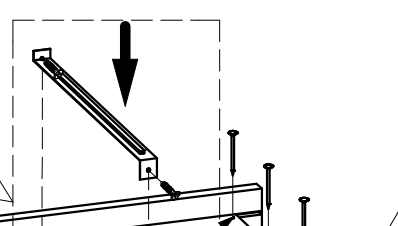
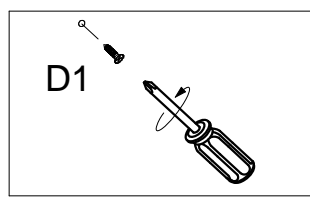
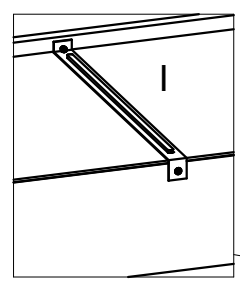
x 2



13



! XX=YY≅90°



x 4

14



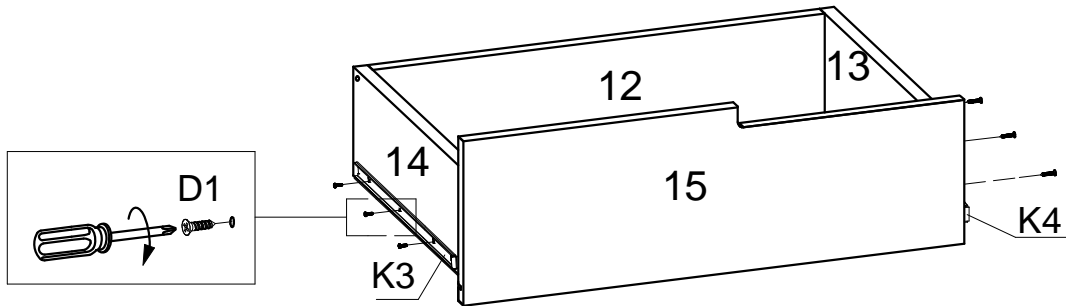
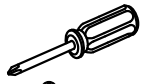
D1 x 12



K.3 x 2



K.4 x 2

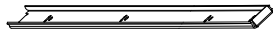


x 2

15



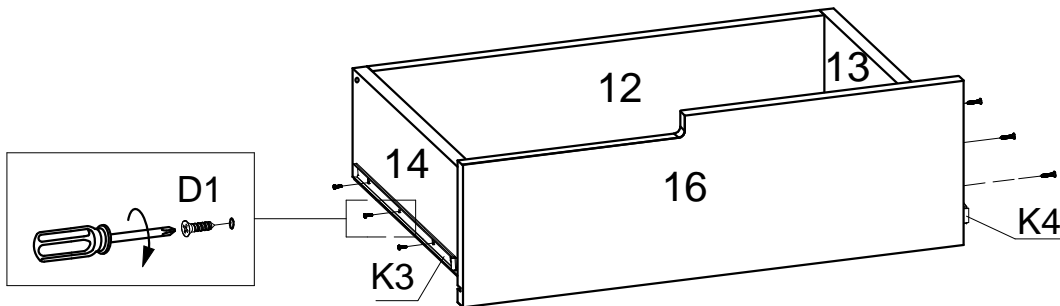
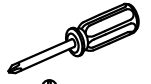
D1 x 12



K.3 x 2



K.4 x 2



x 2

16

